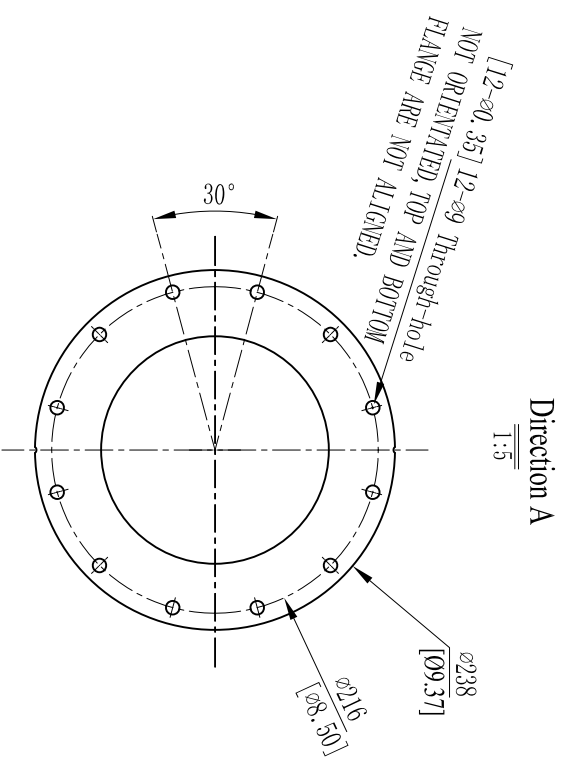


MODEL	VOLUME		DOME VOLUME		STRAIGHT WALL AREA	WEIGHT
	liters	U.S. gal	liters	U.S. gal		
48x72	1895	500.6	66.96	221.7	58.57	7.83
					4.84	52.10
						247
						543.4



- NOTES:
- TANK MUST MEET ALL APPLICABLE SPECIFICATIONS OF NSF/ANSI 044 STANDARD, LATEST REVISION.
 - OPERATING SPECIFICATIONS:
 - A. MAXIMUM WORKING PRESSURE - 150 PSI (10.3BAR)
 - B. TEMPERATURE RANGE - 34-120° F (-1-49°C)
 - C. MAXIMUM VACUUM - 5"Hg (127mm Hg)
 - VISUAL LINER INSPECTION
 - A. NO MORE THAN 20 INTERNAL OR EXTERNAL BLEMISHES OR BURST DEBRIS.
 - B. NO INTERNAL OR EXTERNAL BLEMISHES OR BURST DEBRIS LARGER THAN 5x5mm.
 - C. NO INTERNAL BLEMISHES OR BURST DEBRIS ALLOWED.
 - ALL GLASS STRANDS FROM FIBERGLASS LINER TO BE BONDED AND COVERED.
 - SURFACE TO BE FREE OF NICKS, SCRATCHES, RESIN AND GLASS.
 - SURFACE FINISH.
 - DIMENSIONS IN PARENTHESES ARE REFERENCE ONLY.
 - DIMENSIONS IN SQUARE PARENTHESES ARE INCH UNIT.
 - TANK TO BE BONDED TO BASE.
 - USING A STANDARD LEVEL WITH TANK POSITIONED ON A LEVEL SURFACE. DATUM B TO BE PARALLEL WITH DATUM A. BUBBLE OF LEVEL MUST FALL COMPLETELY WITHIN LINES WHEN MEASURED AT 90° INTERVALS WHEN PLACED ON THE TOP OF THE FLANGE.

VERSION NO. 2		THIS DRAWING IS UPDATED COMPLYING WITH THE CHINESE VERSION		SIGNATURE		DATE 2008/10/30	
REFERENTIAL PLASTIC SHRINKAGE (IF NECESSARY):		DESCRIPTION OF CHANGES:		SIGNATURE		DATE	
SIGNATURE		DATE		SCALE 1 : 10		MODEL DESCRIPTION 48" FRP PRESSURE VESSEL (DOUBLE FLANGE OPENING)	
DESIGN NAME		DATE		MATERIAL		DRAWING NO. 113482-00	
INSPECTION		DATE		SMOOTHNESS		VERSION NO. 2	
APPROVAL		DATE		COMPUTER CODE		TOTAL PAGE: 1	
THIS PRODUCT DRAWING CAN NOT BE COPIED AND/OR USED WITHOUT PRIOR WRITTEN APPROVAL OF WAVE CYBER.				DO NOT MEASURE THE DIMENSIONS.		UNIT: MM	
WAVE CYBER (SHANGHAI) CO., LTD.							