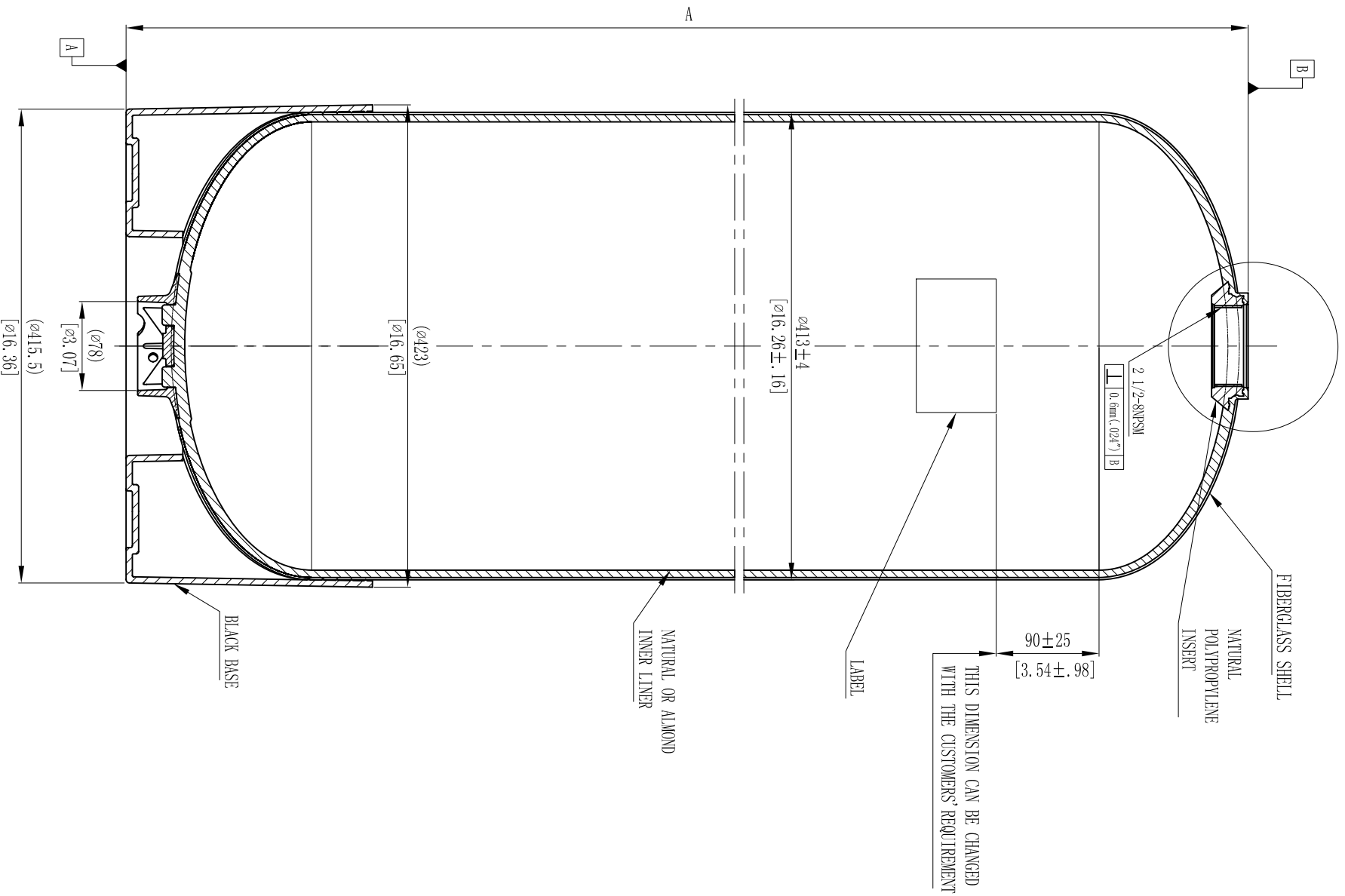
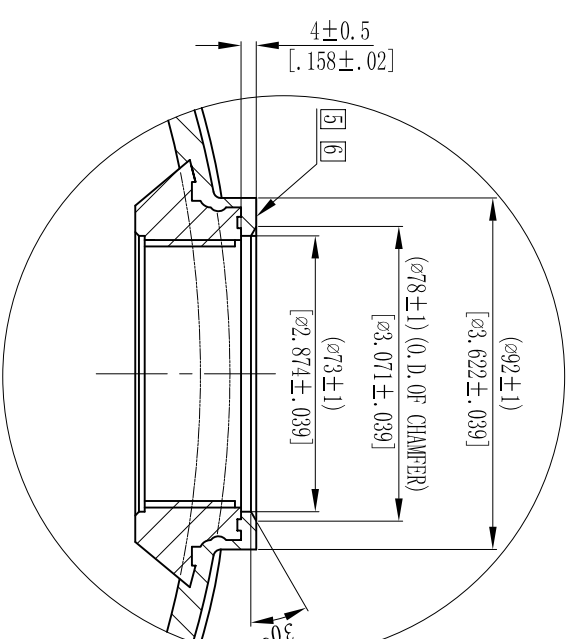


MODEL	A		VOLUME	DOME VOLUME		WEIGHT						
	mm	inch		liters	U.S. gal	liters	U.S. gal	cubic FT	Kg	LBS		
16x65	1671	65.79	6	.24	194	51.3	6.86	9.15	2.42	0.32	18.65	41.03
16x52	1341	52.80	6	.24	153	40.4	5.41	9.15	2.42	0.32	15.65	34.47

1 : 2



NOTES:

- TANK MUST MEET ALL APPLICABLE SPECIFICATIONS OF NSF/ANSI 044 STANDARD, LATEST REVISION.
- OPERATING SPECIFICATIONS:
 - MAXIMUM WORKING PRESSURE - 150 PSI (10.5BAR)
 - TEMPERATURE RANGE - 34-120° F(-49°C)
 - MAXIMUM VACUUM - 5"Hg (127mm Hg)
- VISUAL LINER INSPECTION
 - NO MORE THAN 10 INTERNAL OR EXTERNAL BLEMISHES OR BURNT DEBRIS.
 - NO INTERNAL OR EXTERNAL BLEMISHES OR BURNT DEBRIS LARGER THAN 3X3mm.
 - NO INTERNAL BLEMISHES OR BURNT DEBRIS ALLOWED.
- ALL GLASS STRANDS FROM FIBERGLASS LINER TO BE BONDED AND COVERED.
- SURFACE TO BE FREE OF NICKS, SCRATCHES, RESIN AND GLASS.
- SURFACE FINISH.
- DIMENSIONS IN PARENTHESES ARE REFERENCE ONLY.
- USING A STANDARD LEVEL WITH TANK POSITIONED ON A LEVEL SURFACE, DATUM B TO BE PARALLEL WITH DATUM A. BUBBLE OF LEVEL MUST FALL COMPLETELY WITHIN LINES WHEN MEASURED AT 90° INTERVALS.

VERSION NO.	2	THIS DRAWING IS UPDATED COMPLYING WITH THE CHINESE VERSION	SIGNATURE	DATE	10/10/07
REPRESENTATIONAL PLASTIC SHRINKAGE (IF NECESSARY):					
SIGNATURE		WAVE CYBER (SHANGHAI) CO., LTD.			
DESIGN	NAME	DATE	SCALE	MATERIAL	MODEL DESCRIPTION
INSPECTION			1 : 5		16" (2.5") FRP PRESSURE VESSEL
APPROVAL			QUANTITY	SMOOTHNESS	DRAWING NO. 111161-00
THIS PRODUCT DRAWING CAN NOT BE COPIED AND/OR USED WITHOUT PRIOR WRITTEN APPROVAL OF WAVE CYBER.			PROJECTION	COMPUTER CODE	VERSION NO. 2
DO NOT MEASURE THE DIMENSIONS.			UNIT: MM	TOTAL PAGE: 1	