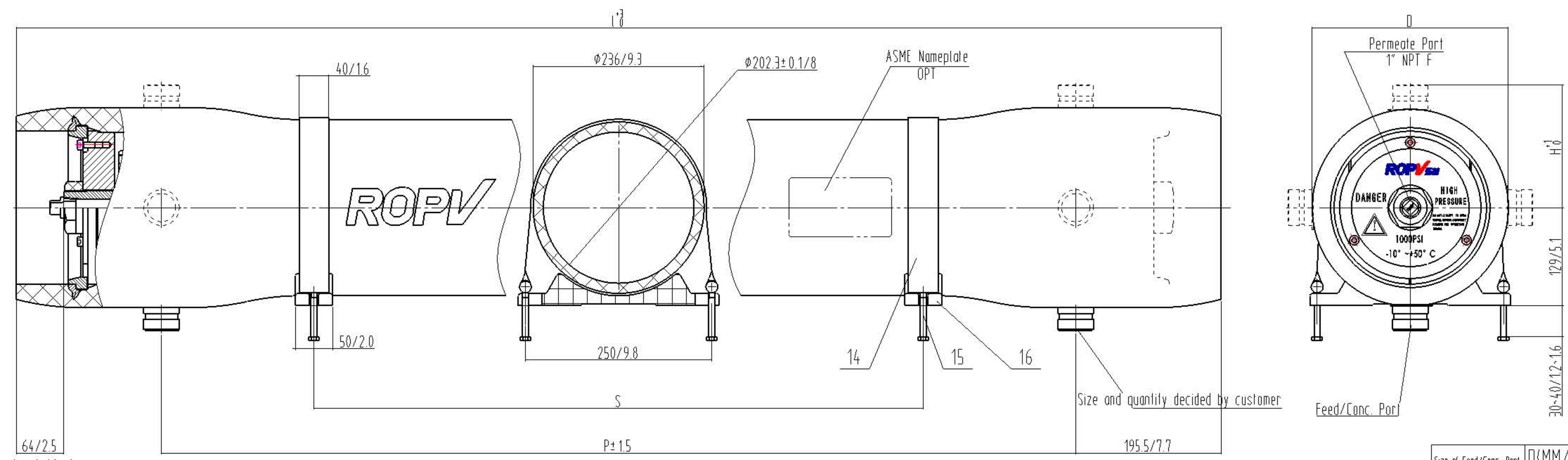
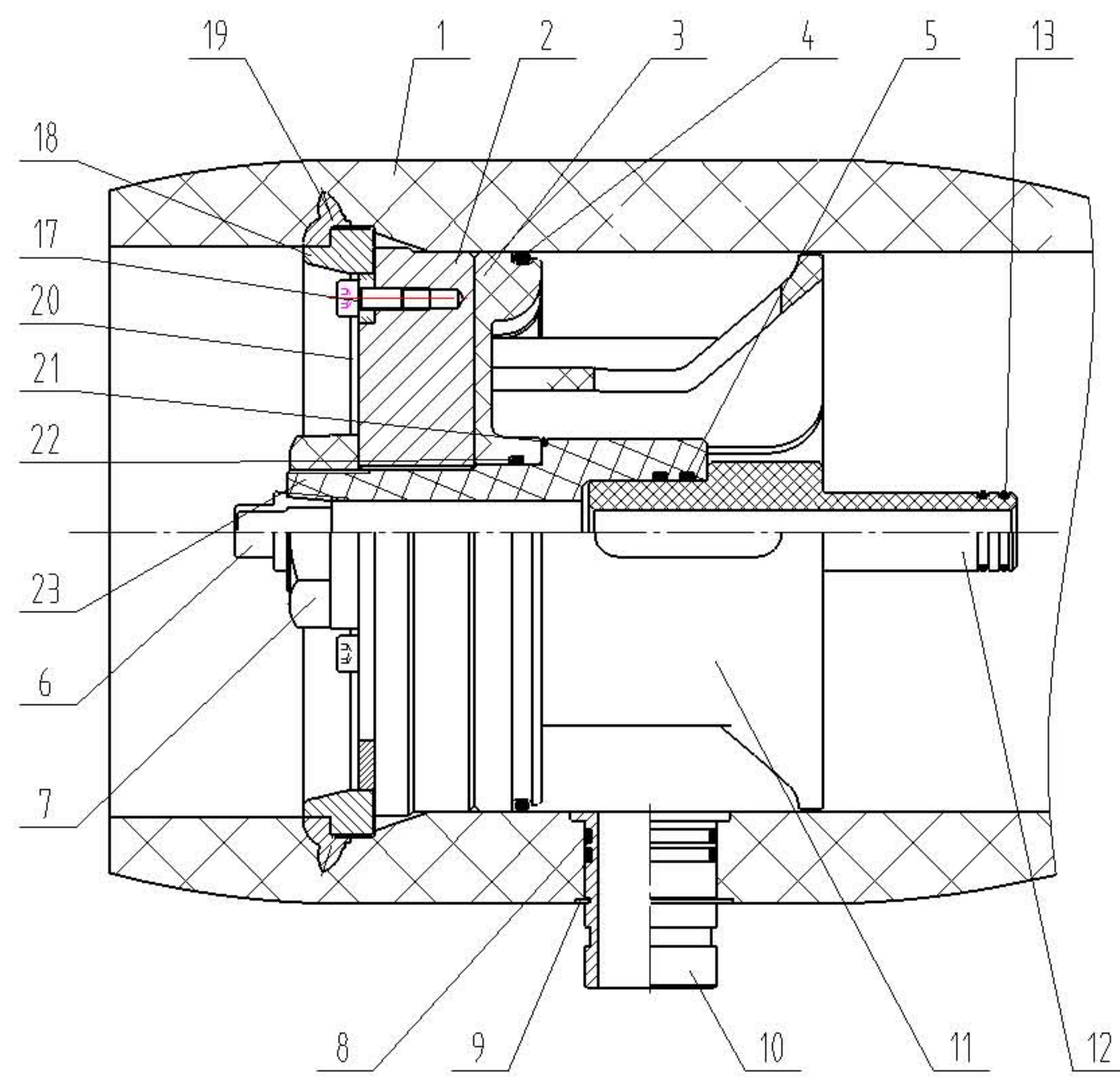


1000
PSI



*Standard Mode

23	8064.3	Permeate Port	2	ABS	
22	47.5x3.55G GB/T3452.1-2005	O-ring	2	EPDM	
21	58x2.65G GB/T3452.1-2005	O-ring	2	EPDM	
20	8035	Securing Ring	2	Plastic	
19	8097	Embed Ring	2	316SS	
18	8034	Locking Kil Segment	6	2024	
17	GB/T170.1-2000 M8x16	Locking Segment Screw	6	316SS	
16	8032	Saddle	2~3	NR	
15	GB/T5782-2000 M8x70	Strap Screw	4~6	316SS	
14	8027.3	Strap	2~3	316SS	
13	23.6x2.65G GB/T3452.1-2005	O-ring	4	EPDM	
12	8026	Adapter	2	ABS	
11	8022.3	Thrust Ring	1	ABS	
10	8020.3 8019.3 8018.3	2.5"Feed/Conc. Port 2"Feed/Conc. Port 1.5"Feed/Conc. Port*	2~4	2205	OPT
09	800511-3	Retaining Ring	2~4	316SS	
08	69x3.55G GB/T3452.1-2005 53x3.55G GB/T3452.1-2005 41.2x3.55G GB/T3452.1-2005	O-ring	4~8	EPDM	
07	8014.1	Permeate Port Locknut	2	ABS	
06	8013	Plug	1	ABS	
05	36.5x3.55G GB/T3452.1-2005	O-ring	4	EPDM	
04	190x5.3G GB/T3452.1-2005	O-ring	2	EPDM	
03	8010.4	Parted Sealing Plate	2	ABS	
02	8009	Bearing Plate	2	6061 T651	
01	8005.1-8	Pressure Shell	1	FRP	OPT for Blue or White
Ref.	Part Number	Description	Qty.	Material	Note



NOTE:

- 1 Design pressure 1000PSI(6.9MPa).
- 2 Design temperature 150°F(66°C)
- 3 Min. allowable temperature 14°F(-10°C)
- 4 Working medium, sea water or brackishwater
- 5 Internal permeate pressure not to exceed 125PSI(0.88Mpa)
- 6 Please operate in accordance with User Manual
- 7 Subject to change without notice. Check with ROPV to confirm current drawing.

Size of Feed/Conc. Port	D(MM/IN)	H(MM/IN)
1.5"(DN40)	266/10.5	158/6.2
2"(DN50)	272/10.7	164/6.5
2.5"(DN65)	280/11.0	164/6.5

Shell length code	Shell number	L L.O.A MM/IN	P Port to port MM/IN	S Span MM/IN	Approx assembly weight (1.5"Feed/Conc. Port) KG/LB
1	8005.1	1534/60.4	1143/45	700/27.6	62/139.6
2	8005.2	2550/100.4	2159/85	1455/57.3	86/193.7
3	8005.3	3566/140.4	3175/125	2064/81.3	110/247.7
4	8005.4	4582/180.4	4191/165	1600/63x2	134/301.8
5	8005.5	5598/220.4	5207/205	2000/78.7x2	158/355.9
6	8005.6	6614/260.4	6223/245	2358/92.8x2	182/409.9
7	8005.7	7630/300.4	7239/285	2865/112.8x2	205/461.7
8	8005.8	8646/340.4	8255/325	3373/132.8x2	230/518.0

ROPV

DESIGN X W Liu 2008.04.08	Harbin ROPV Industry Development Center	
REVIEW J B An 2008.04.08	MODEL R80B1000S PRESSURE VESSEL	
APPROVAL Y C Li 2008.04.08	DRG R80B1000S-00	REV 08