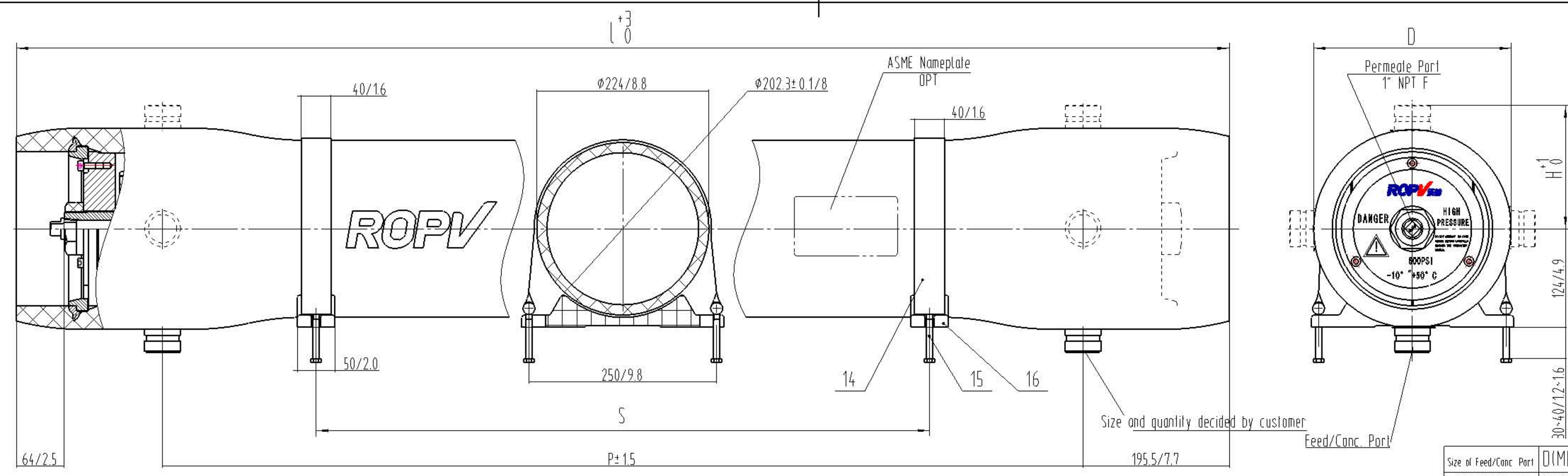
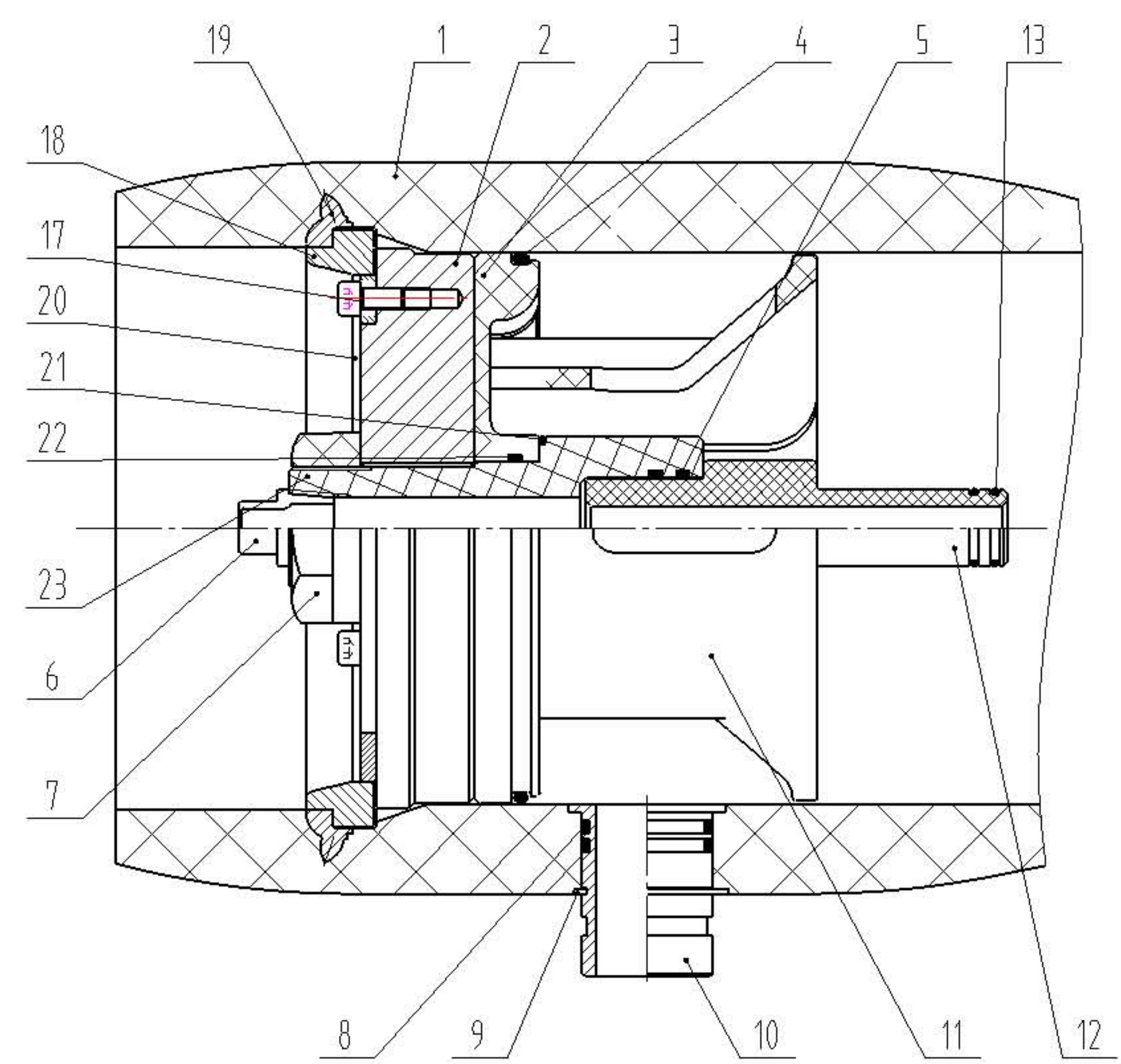


**600
PSI**



*Standard Mode

23	8064.3	Permeate Port	2	ABS	
22	47.5x3.55G GB/T3452.1-2005	O-ring	2	EPDM	
21	58x2.65G GB/T3452.1-2005	O-ring	2	EPDM	
20	8035	Securing Ring	2	Plastic	
19	8097	Embed Ring	2	316SS	
18	8034	Locking Kit Segment	6	2024	
17	GB/T170.1-2000 M8x16	Locking Segment Screw	6	316SS	
16	8032	Saddle	2~3	NR	
15	GB/T5782-2000 M8x70	Strap Screw	4~6	316SS	
14	8027.3	Strap	2~3	316SS	
13	23.6x2.65G GB/T3452.1-2005	O-ring	4	EPDM	
12	8026	Adapter	2	ABS	
11	8022.3	Thrust Ring	1	ABS	
10	8020.1 8019.1 8018.1	2.5"Feed/Conc. Port 2"Feed/Conc. Port 1.5"Feed/Conc. Port*	2~4	2205	OPT
09	80051.1-3	Retaining Ring	2~4	316SS	
08	69x3.55G GB/T3452.1-2005 53x3.55G GB/T3452.1-2005 41.2x3.55G GB/T3452.1-2005	O-ring	4~8	EPDM	
07	8014.1	Permeate Port Locknut	2	ABS	
06	8013	Plug	1	ABS	
05	36.5x3.55G GB/T3452.1-2005	O-ring	4	EPDM	
04	190x5.3G GB/T3452.1-2005	O-ring	2	EPDM	
03	8010.4	Parted Sealing Plate	2	ABS	
02	8009	Bearing Plate	2	6061 T651	
01	8004.1-8	Pressure Shell	1	FRP	OPT for Blue or White
Ref.	Part Number	Description	Qty.	Material	Note



NOTE:

- 1 Design pressure 600PSI(4.14MPa).
- 2 Design temperature 150°F(66°C)
- 3 Min. allowable temperature 14°F(-10°C)
- 4 Working medium, sea water or brackishwater
- 5 Internal permeate pressure not to exceed 125PSI(0.88Mpa)
- 6 Please operate in accordance with User Manual
- 7 Subject to change without notice. Check with ROPV to confirm current drawing.

Size of Feed/Conc. Port	D(MM/IN)	H(MM/IN)
1.5"(DN40)	256/10.1	153/6.0
2"(DN50)	258/10.2	153/6.0
2.5"(DN65)	266/10.5	157/6.2

Shell length code	Shell number	L L.O.A MM/IN	P Port to port MM/IN	S Span MM/IN	Approx assembly weight (1.5"Feed/Conc. Port) KG/LB
1	8004.1	1534/60.4	1143/45	700/27.6	49/110.4
2	8004.2	2550/100.4	2159/85	1455/57.3	64/144.1
3	8004.3	3566/140.4	3175/125	2064/81.3	79/177.9
4	8004.4	4582/180.4	4191/165	1600/63x2	94/211.7
5	8004.5	5598/220.4	5207/205	2000/78.7x2	109/245.5
6	8004.6	6614/260.4	6223/245	2358/92.8x2	124/279.3
7	8004.7	7630/300.4	7239/285	2865/112.8x2	139/313.1
8	8004.8	8646/340.4	8255/325	3373/132.8x2	154/346.8

ROPV

DESIGN X W Liu 2008.04.08	Harbin ROPV Industry Development Center
REVIEW J B An 2008.04.08	MODEL R80B600S PRESSURE VESSEL
APPROVAL Y C Li 2008.04.08	DRG R80B600S-00 REV 08