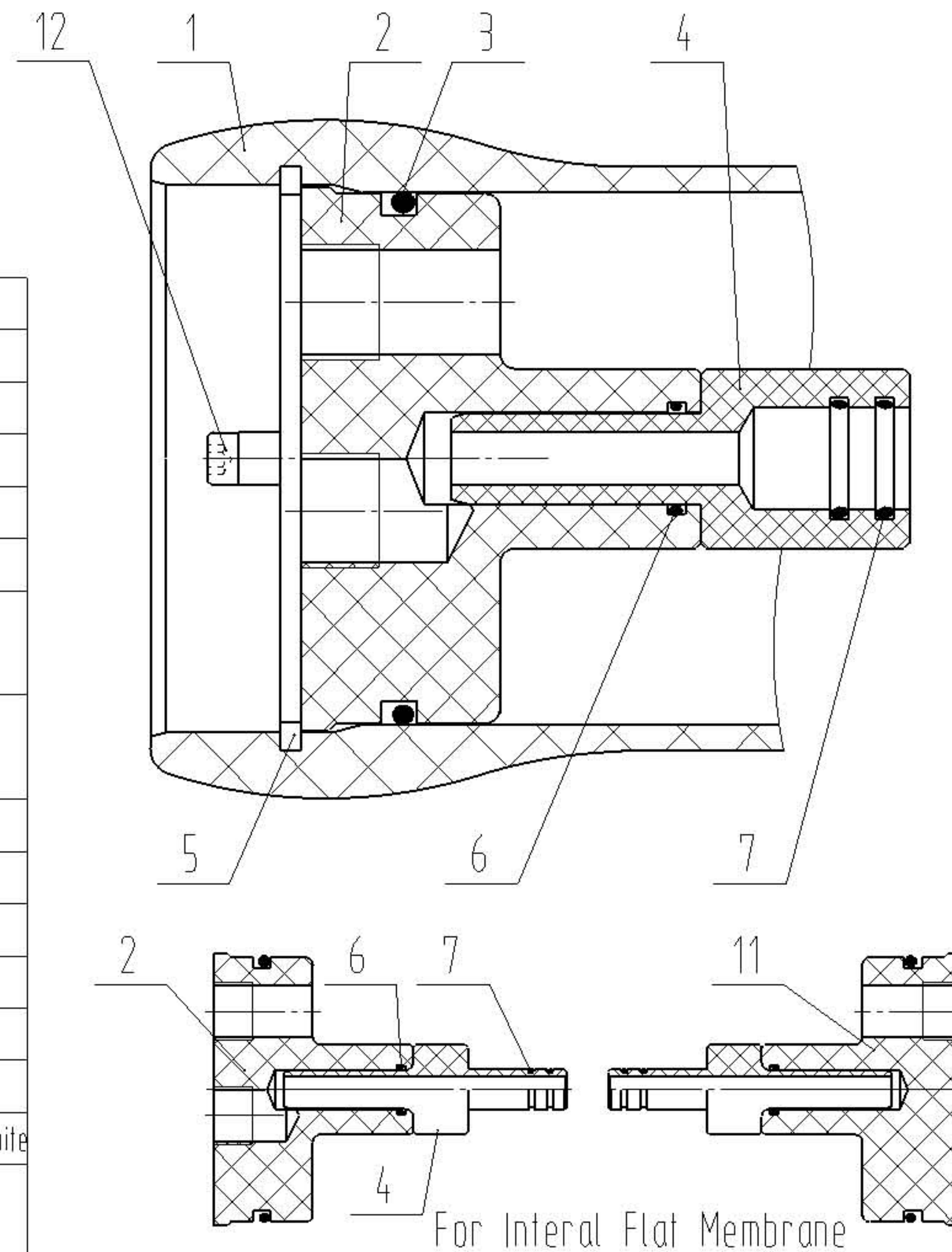


- 1 Design pressure 450PSI(3.15MPa)
- 2 Design temperature 150°F(66°C)
- 3 Min. allowable temperature 14°F(-10°C)
- 4 Working medium, water PH 3-11
- 5 Internal permeate pressure not to exceed 125PSI(0.88MPa)
- 6 Please operate in accordance with User Manual
- 7 Subject to change without notice. Check with ROPV to confirm current drawing.



| | | | | | |
|-----|---------------------------|------------------------|-----|----------|-------------------|
| 12 | GB/T170.1-2000 M6x20 | Locking Crescent Screw | 4 | 304SS | |
| 11 | 4034.1 | End Plate | 1 | ABS | for flat membrane |
| | 4034 | | | | |
| 10 | 4010 | Saddle | 2~3 | NR | |
| 09 | GB/T15782-2000 M8x60 | Strap Screw | 4~6 | 304SS | |
| 08 | 4008.1 | Strap | 2~3 | 304SS | |
| 07 | 12.5x1.8G GB/T3452.1-2005 | O-Ring | 4 | EPDM | |
| | 19x2.65G GB/T3452.1-2005 | | | | |
| 06 | 14x2.65G GB/T3452.1-2005 | O-Ring | 2 | EPDM | |
| | 17x2.65G GB/T3452.1-2005 | | | | |
| 05 | 4011.1 | Locking Crescent | 4 | 304SS | |
| 04 | 4021.1 | Adapter | 2 | ABS | for flat membrane |
| | 4021 | Adapter | | | |
| 03 | 90x5.3G GB/T3452.1-2005 | O-Ring | 2 | EPDM | |
| | 4033.1 | | | | |
| 02 | 4033 | End Plate | 1 | ABS | for flat membrane |
| | 4029.7-12 | | | | Pressure Shell |
| Ref | Part Number | Description | Qty | Material | Note |

| Shell Length Code | Shell Number | L L.O.A (MM/IN) | S Span (MM/IN) | Approx assembly weight (KG/LB) |
|-------------------|--------------|-----------------|----------------|--------------------------------|
| 1 | 4029.7 | 1278/50.3 | 600/23.6 | 9/20.3 |
| 2 | 4029.8 | 2294/90.3 | 1200/47.2 | 13/29.3 |
| 3 | 4029.9 | 3310/130.3 | 2200/86.6 | 17/38.3 |
| 4 | 4029.10 | 4326/170.3 | 1600/63.0x2 | 21/47.3 |
| 5 | 4029.11 | 5342/210.3 | 2300/90.6x2 | 26/58.6 |
| 6 | 4029.12 | 6358/250.3 | 2700/106.3x2 | 30/67.6 |

| | | | | | |
|-------------|----------|-----------------------|--|---|-----------|
| ROPV | DESIGN | X W Liu 2008.04.08 | | Harbin ROPV Industry Development Center | |
| | REVIEW | J B An 2008.04.08 | | MODEL R40B450E PRESSURE VESSEL | |
| | APPROVAL | Y C Li 2008.04.08 | | DRG | REV 08 |
| | | | | R40B450E-00 | |