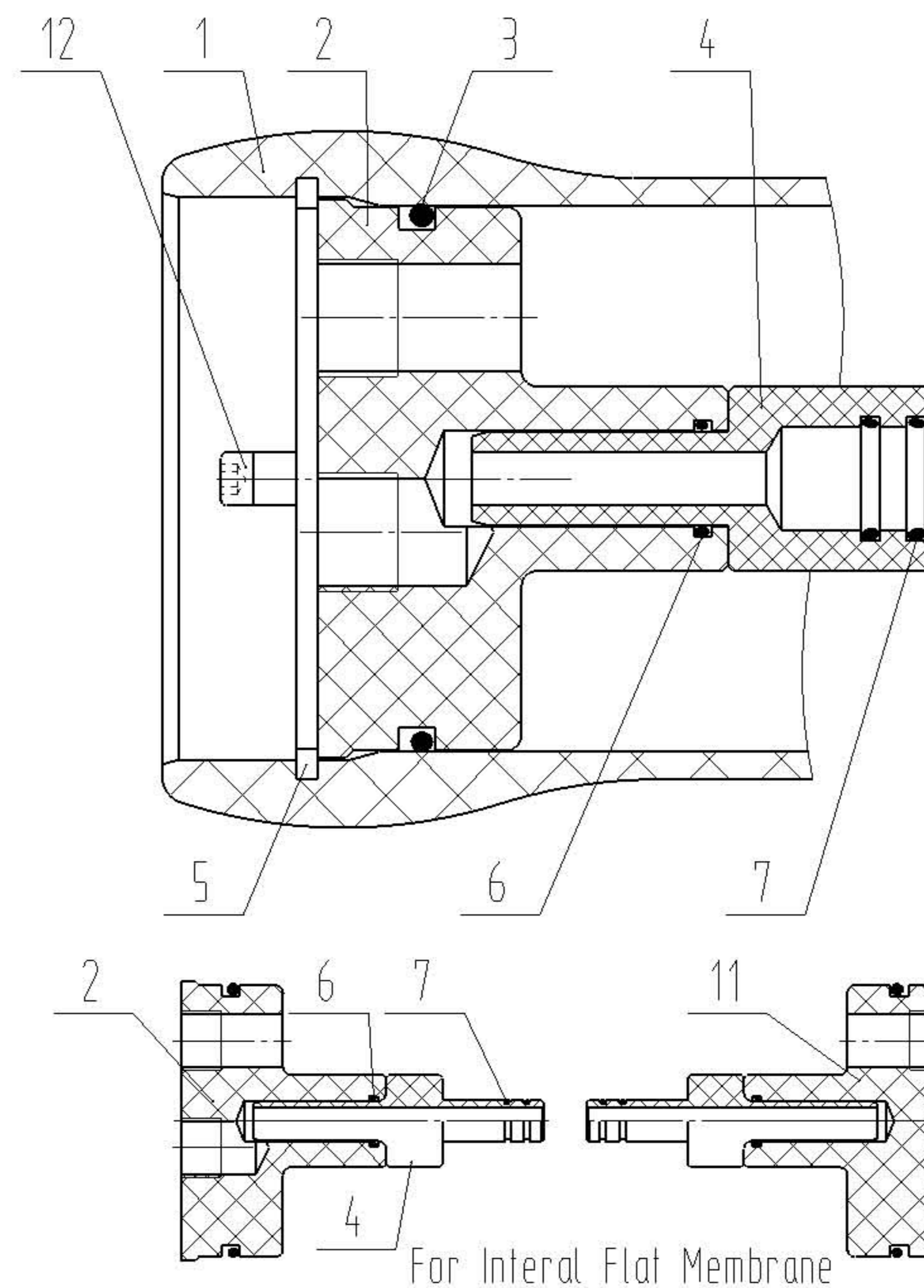


- 1 Design pressure 300PSI(2.1MPa)
- 2 Design temperature 150°F(66°C)
- 3 Min. allowable temperature 14°F(-10°C)
- 4 Working medium, water PH 3-11
- 5 Internal permeate pressure not to exceed 125PSI(0.88MPa)
- 6 Please operate in accordance with User Manual
- 7 Subject to change without notice. Check with ROPV to confirm current drawing.



12	GB/T70.1-2000 M6x20	Locking Crescent Screw	4	304SS	
11	4034.1	End Plate	1	ABS	for flat membrane
	4034				
10	4010	Saddle	2~3	NR	
09	GB/T5782-2000 M8x60	Strap Screw	4~6	304SS	
08	4008	Strap	2~3	304SS	
07	12.5x1.8G GB/T3452.1-2005	O-Ring	4	EPDM	
	19x2.65G GB/T3452.1-2005				
06	14x2.65G GB/T3452.1-2005	O-Ring	2	EPDM	
	17x2.65G GB/T3452.1-2005				
05	4011	Locking Crescent	4	304SS	
04	4021.1	Adapter	2	ABS	for flat membrane
	4021	Adapter			
03	90x5.3G GB/T3452.1-2005	O-Ring	2	EPDM	
02	4033.1	End Plate	1	ABS	for flat membrane
	4033				
01	4028.1-6	Pressure Shell	1	FRP	Opt for blue or white
Ref	Part Number	Description	Qty	Material	Note

Shell Length Code	Shell Number	L L.O.A (MM/IN)	S Span (MM/IN)	Approx assembly weight (KG/LB)
1	4028.1	1263/49.7	600/23.6	7/15.8
2	4028.2	2279/89.7	1200/47.2	11/24.8
3	4028.3	3295/129.7	2200/86.6	14/31.5
4	4028.4	4311/169.7	1600/63.0x2	18/40.5
5	4028.5	5327/209.7	2300/90.6x2	21/47.3
6	4028.6	6343/249.7	2700/106.3x2	25/56.3

ROPV	DESIGN	X W Liu	Harbin ROPV Industry Development Center	
	REVIEW	J B An	MODEL R40B300E PRESSURE VESSEL	
	APPROVAL	Y C Li	ORG	R40B300E-00
		2008.04.08	REV	08