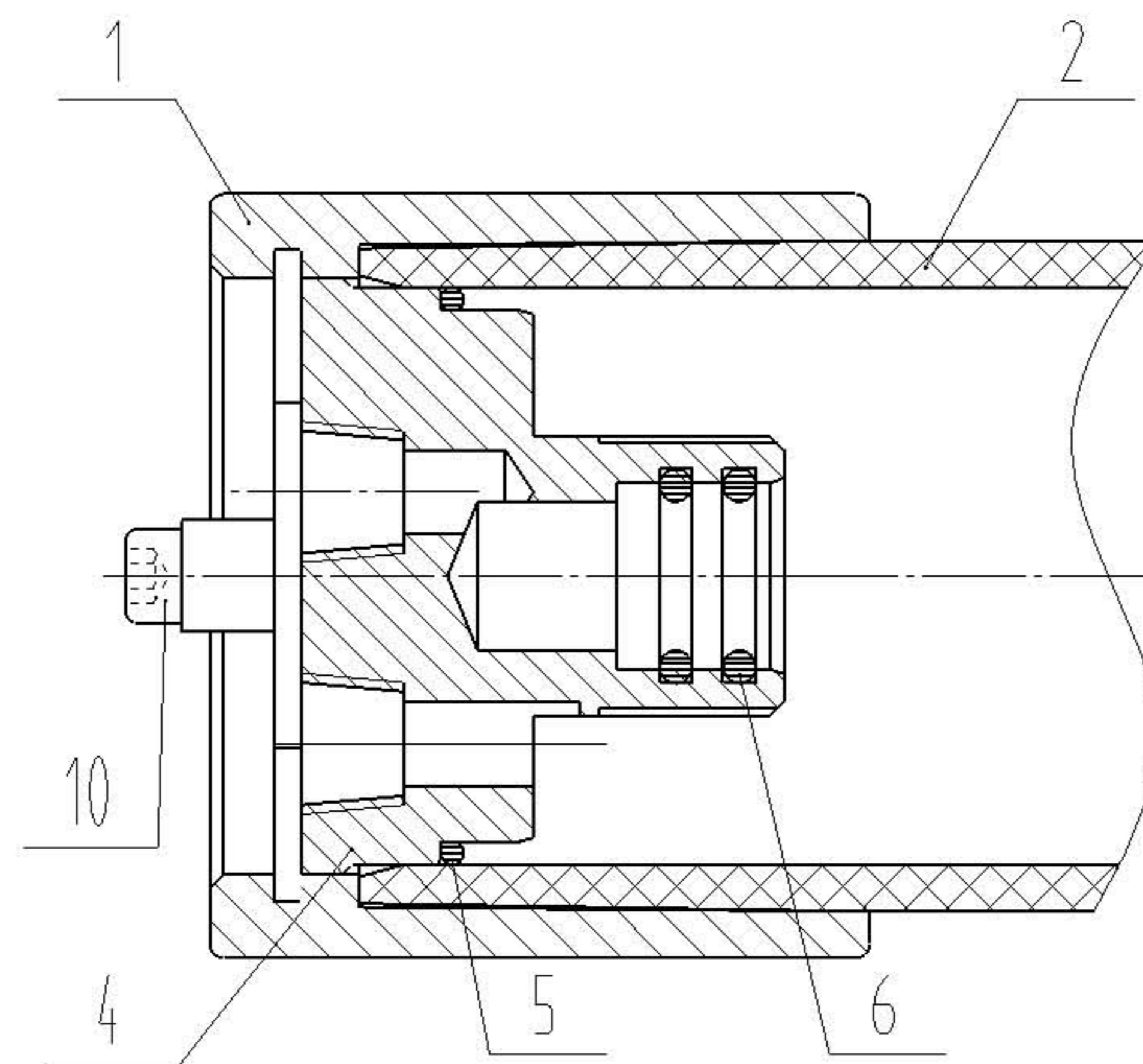


NOTE:

- 1 Design pressure 1000PSI(6.9MPa)
- 2 Design temperature 150°F(66°C)
- 3 Min. allowable temperature 14°F(-10°C)
- 4 Working medium, sea water or brackishwater
- 5 Internal permeate pressure not to exceed 125PSI(0.88MPa)
- 6 Please operate in accordance with User Manual
- 7 Subject to change without notice. Check with ROPV to confirm current drawing.



10	GB/T70.1-2000 M6x25	Screw	4	316SS	
09	2009	Locking Crescent	4	316SS	
08	GB/T6175-2000 M10	Saddle Nut	4	304SS	M10 OPT
07	GB/T5782-2000 M10x110	Saddle Screw	4	304SS	OPT
06	19x2.65G GB/T3452.1-2005	O-Ring	4	EPDM	
05	56x3.55G GB/T3452.1-2005	O-Ring	2	EPDM	
04	20041	End Plate	2	2205SS	
03	2003	Saddle	4	NR	OPT
02	200220	2514 Shell	1	FRP	Opt for white, blue or black
	200210	2521 Shell			
	20020	2540 Shell			
01	2080	Collar	2	6061 T6 Aluminum alloy	Hard Anodized
Ref	Part Number	Description	Qty	Material	Note

Shell Number	L L.O.A (MM/IN)	S Span (MM/IN)	Approx assembly weight (KG/LB)
2514	447/17.6	200/7.9	3/6.8
2521	625/24.6	400/15.7	4/9.0
2540	1107/43.6	700/27.6	5/11.3

ROPV	DESIGN X W Liu 2008.04.08	Harbin ROPV Industry Development Center	
	REVIEW J B An 2008.04.08	MODEL R25B1000E PRESSURE VESSEL	
	APPROVAL Y C Li 2008.04.08	DRG	REV R25B1000E-00 08