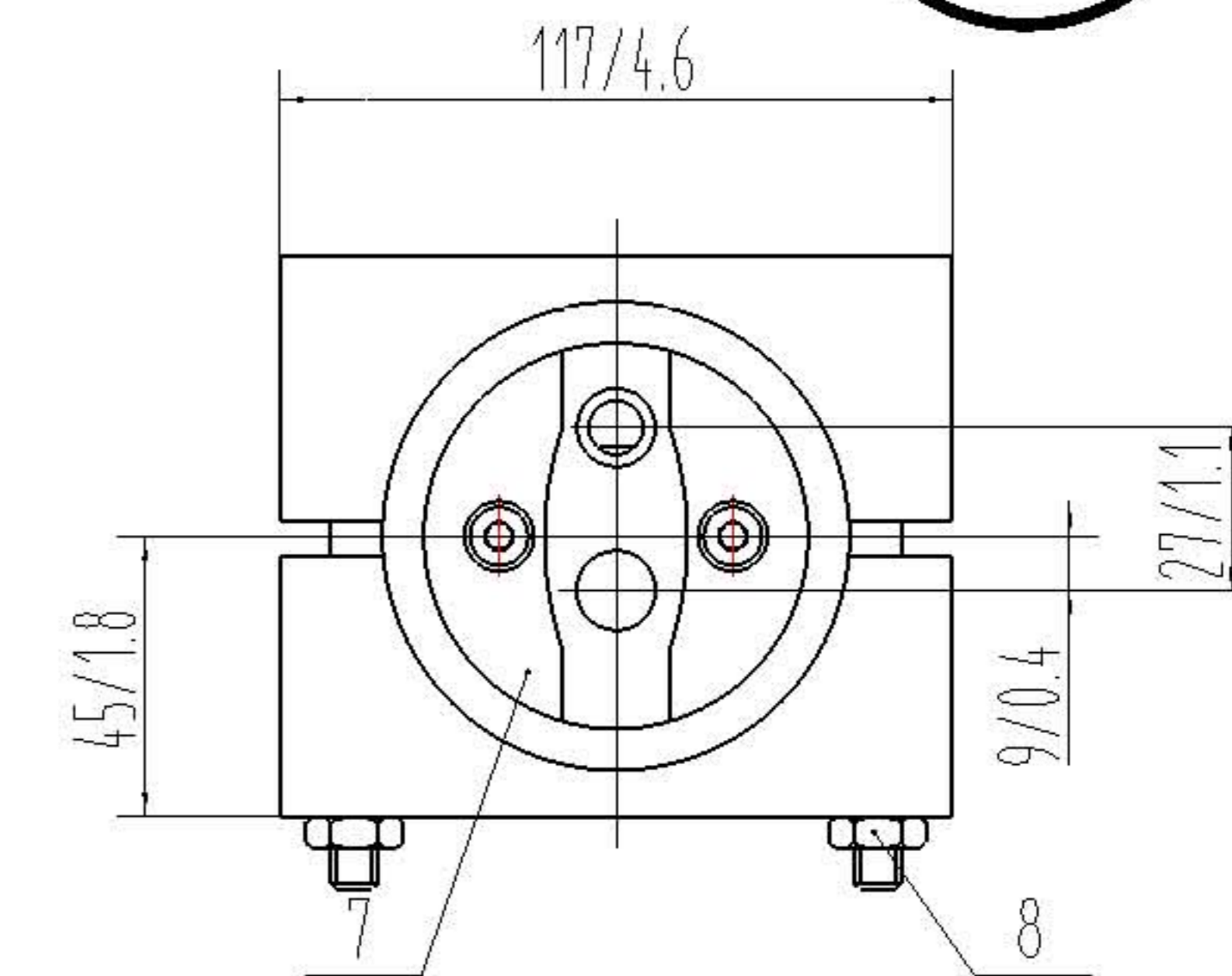
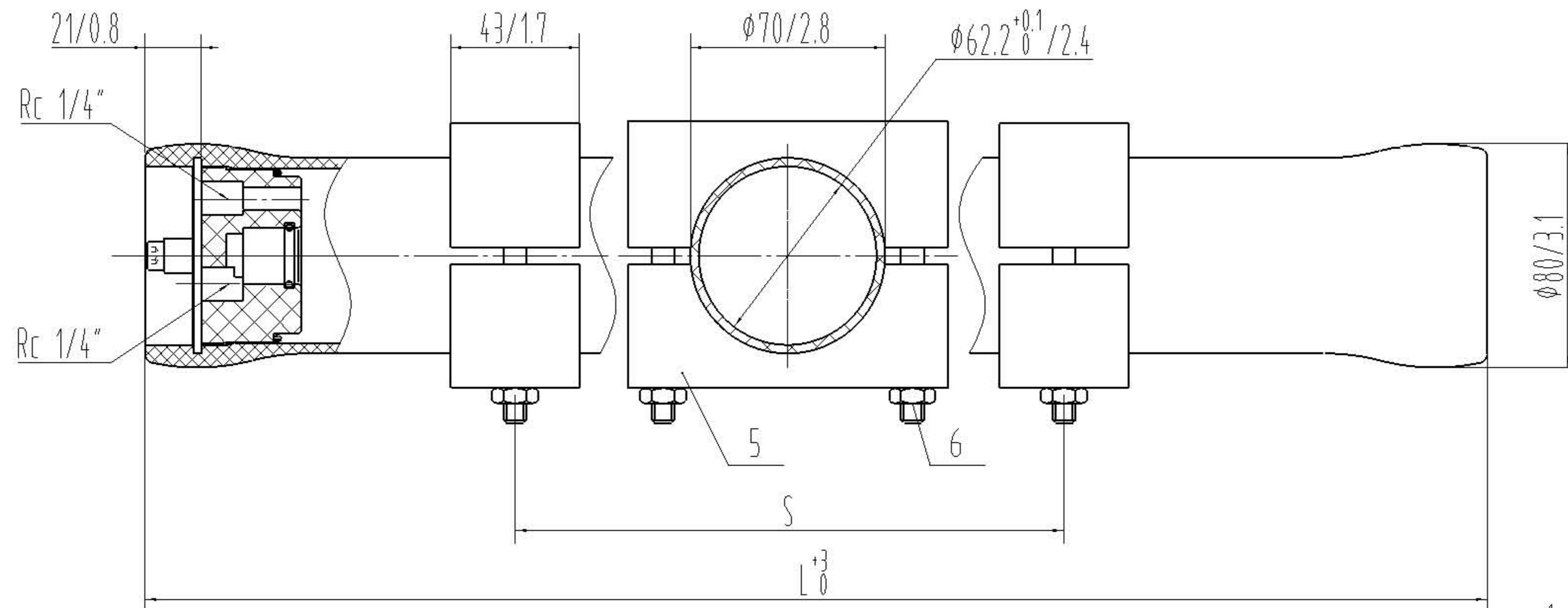
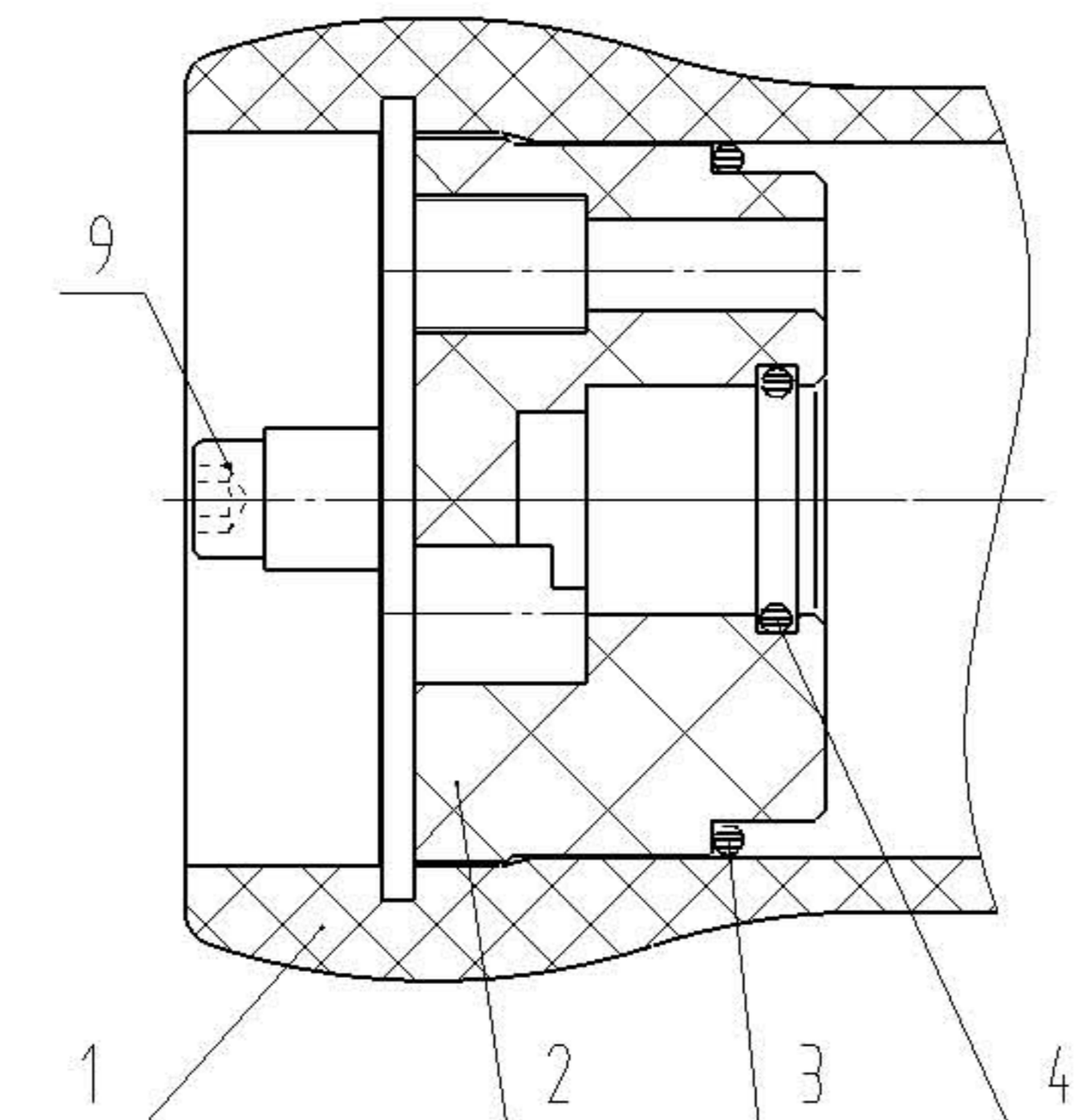


300
PSI



- 1 Design pressure 300PSI(2.1MPa)
- 2 Design temperature 150°F(66°C)
- 3 Min. allowable temperature 14°F(-10°C)
- 4 Working medium, water PH3~11
- 5 Internal permeate pressure not to exceed 125psi
- 6 Please operate in accordance with User Manual
- 7 Subject to change without notice. Check with ROPV to confirm current drawing.



09	GB/170.1-2000 M6x25	Screw	4	304SS	
08	GB/T6175-2000 M10	Saddle Nut	4	304SS	M10
07	2009	Locking Crescent	4	304SS	
06	GB/15782-2000 M10x110	Saddle Screw	4	304SS	
05	2003	Saddle	4	NR	
04	19x2.65G GB/13452.1-2005	O-Ring	2	EPDM	
03	56x3.55G GB/13452.1-2005	O-Ring	2	EPDM	
02	2004	End Plate	2	ABS	
01	20022	2514 Shell	1	FRP	Opt for white, blue or black
	20021	2521 Shell			
	2002	2540 Shell			
Ref	Part Number	Description	Qty	Material	Note

Shell Number	L L.O.A (MM/IN)	S Span (MM/IN)	Approx assembly weight (KG/LB)
2514	427/16.8	200/7.9	2/4.5
2521	605/23.8	400/15.7	2.5/5.6
2540	1088/42.8	700/27.6	3.0/6.8

ROPV	DESIGN X W Liu 2008.04.08	Harbin ROPV Industry Development Center	
	REVIEW J B An 2008.04.08	MODEL R25B300E PRESSURE VESSEL	
	APPROVAL Y C Li 2008.04.08	DRG	REV
		R25B300E-00	08